



House of Resistors
Since 1980

EXCELL MECHATRICAL INDUSTRIES

Manufacturer Of: Wire Wound Resistor - Ceramic Encased Resistor – Dynamic Breaking Resistor - Load Bank

APR - SILICONE COATED RADIAL TAG RESISTOR - SRT



The 'APR' SRT series is a range of high stability, Wire Wound Power Resistors with wide range of resistance values are available in this series of Resistors. Non-Inductive and Variable type resistors are also offered in this series. Customization on termination and mounting can be done with ease.
FEATURES:

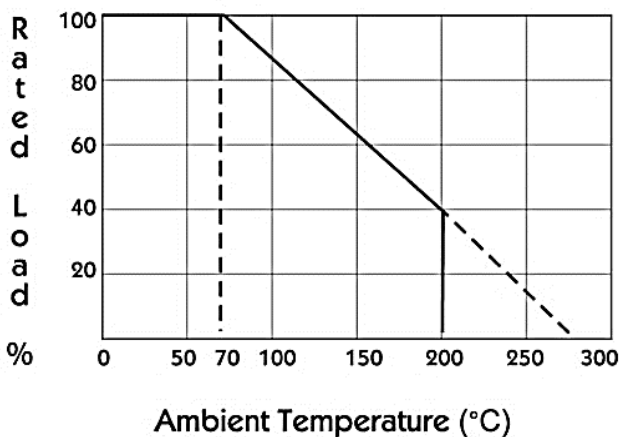
- ✓ High thermal capacity - suitable for high pulse applications.
- ✓ Good electrical stability, reliability and mechanically very rigid.
- ✓ Custom termination & mounting arrangements possible
- ✓ Wide range of resistance values available.
- ✓ Fixed, Variable and Non-inductive versions on offer.

PERFORMANCE CHARACTERISTICS

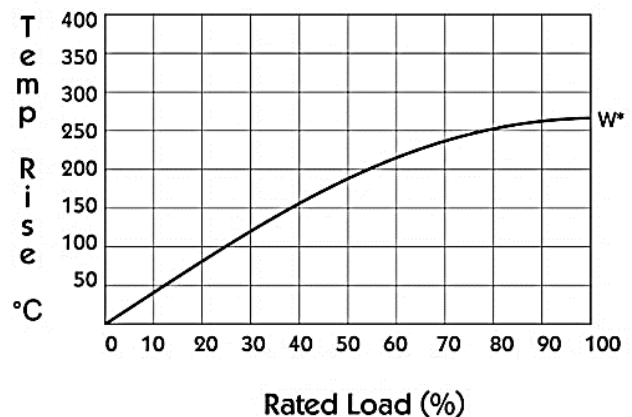
Characteristics	Condition	Compliance
Tolerance	For Values less than 1Ω For Values greater than 1Ω	± 5% to ±10% ± 1% to ±10%
Temperature Co-efficient		0-300 ppm° (depending on wire selected)
Continuous Power	Rated power @25°C	<272°C temperature on surface
Short Term Overload	10 x Rated Power for 5sec	R < ± (2% + 0.05Ω)
Operating Temperature	-25°C to 250°C	
Solder ability (where applicable)	Solder bath at 200± 5% °C	95% coverage

ELECTRICAL CHARACTERISTICS

DERATING CURVE

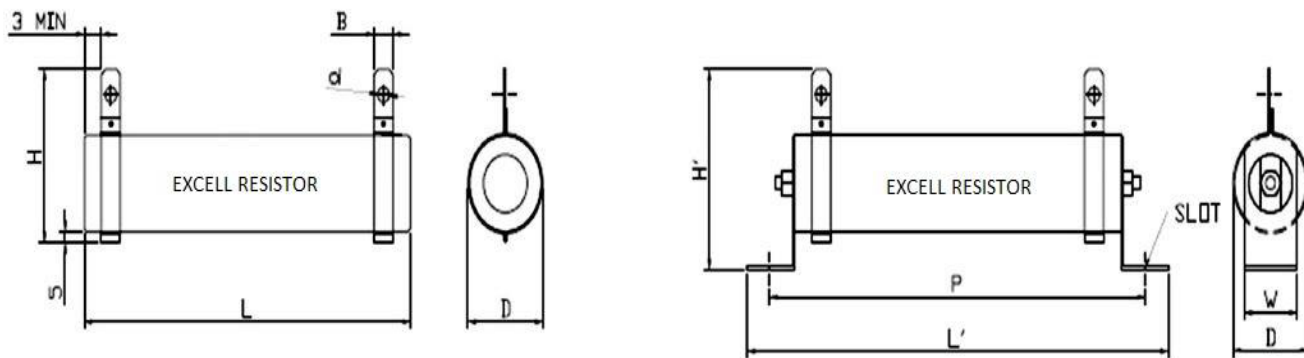


SURFACE TEMP CURVE AT 25°C



*The surface temp curve will be more or less the same for all wattages. Hence, average curve shown.

RESISTANCE RANGE AND DIMENSIONAL DETAILS



Series	Rated Power (W)	Resistance Range	L ±2	D ±2	d ±0.5	H±2	B ±1	L' ±2	H' ±2	W ±1	P ±2	Slot
SRT20	20	0E01-25K	52	18	3	33	5	86	45	15	72	8X5
SRT25	25	0E01-25K	63	18	3	33	5	97	45	15	83	8X5
SRT30	30	0E01-25K	75	18	3	33	5	109	45	15	95	8X5
SRT40	40	0E01-30K	75	21	3	36	5	109	45	15	95	8X5
SRT50	50	0E01-30K	100	22	3	36	5	134	45	15	120	8X5
SRT75	75	0E01-25K	150	27	5	47	10	220	70	25	200	12X6
SRT100	100	0E01-25K	150	30	5	50	10	220	70	25	200	12X6
SRT150	150	0E01-25K	200	30	5	50	10	270	70	25	250	12X6
SRT200	200	0E05-20K	250	30	5	50	10	320	70	25	300	12X6
SRT250	250	0E05-20K	300	30	5	50	10	370	70	25	350	12X6
SRT300	300	0E05-20K	300	37	5	57	10	370	70	25	350	12X6
SRT400	400	0E05-20K	300	42	5	62	10	336	85	25	316	12X6
SRT500	500	0E05-20K	300	52	5	77	10	336	85	25	316	12X6
SRT750	750	0E05-20K	380	52	5	77	10	434	120	50	412	12X6
SRT1000	1000	0E05-10K	380	77	5	102	10	434	120	50	412	12X6
SRT1200	1200	0E05-10K	380	77	5	102	10	434	120	50	412	12X6

Note:

- 1.For Mounting Bracket Set mention SRT-L
- 2.For Non inductive resistor mention NI
- 3.For Variable resistor mention A-SRT
- 4.Other than mention sizes available on request



Excell Mechatrical Industries

Manufacturer Of: Wire Wound Resistor - DBR - Load Bank – Ceramic Encased Resistor

Unit 1. 40, Datta Mhatre Compound, Near Pimpleshwar Temple, MIDC Ph II, Dombivali Dist Thane MH 421203

Unit 2. 102 Amar Industrial Estate, Near Shankheshwar Bldg, MIDC Ph II Dombivali Dist Thane MH 421204

Ph.:+91- 90-29505529/+91-96-23893583 Email: excellmech@gmail.com Website: www.excellmechatrial.com



Website QR



WhatsApp QR